

# GENERAL NOTES:

ALL FILLETS R.0625 UNLESS OTHERWISE NOTED. CASTING OFFSET .060".

# PARTS LIST

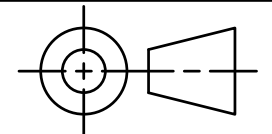
ITEM	QTY.	PART NAME	MATERIAL
1	1	CONNECTOR	SAE 1110



DIGITAL DESIGN  
GRAPHICS  
TECHNOLOGY

WWW.DDGT.NET

**WEEKEND WARRIOR**  
FABRICATION AND DESIGN  
Metal Fabricator - Designer - Machinist  
Jonathan K. Jordan  
jonathankjordan2@gmail.com  
"Weekend Hours, Professional Results"  
Trailer Repair - Custom Built Projects - Shade Structures  
Steel - Aluminum - Stainless  
www.ddgt.net/StudentPages/jjordan



TOLERANCES UNLESS SPECIFIED:  
DECIMAL INCHES:  
X = ±.020  
XX = ±.010  
XXX = ±.005  
FRACTIONAL ±1/64"  
ANGLES ±1 DEGREE  
SURFACES 32/

CLASS: DDGT 121

ASSIGNMENT #: 33

AUTOCAD DRAWING NAME:  
CONNECTOR

FIG #: N/A

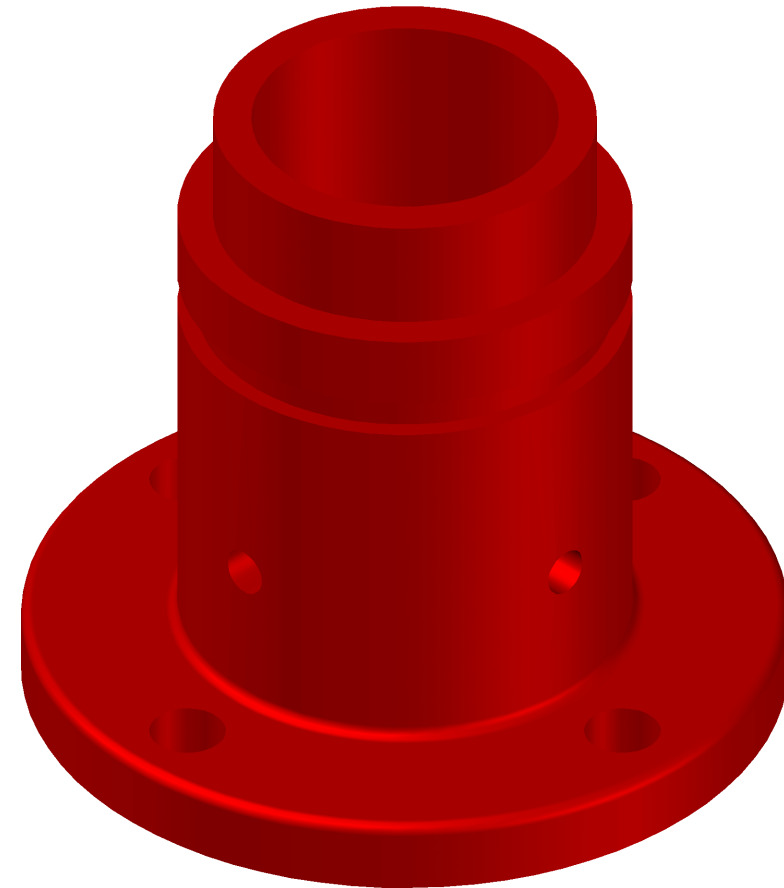
MANAGER: G. STROMMEN

DRAFTER: J. JORDAN

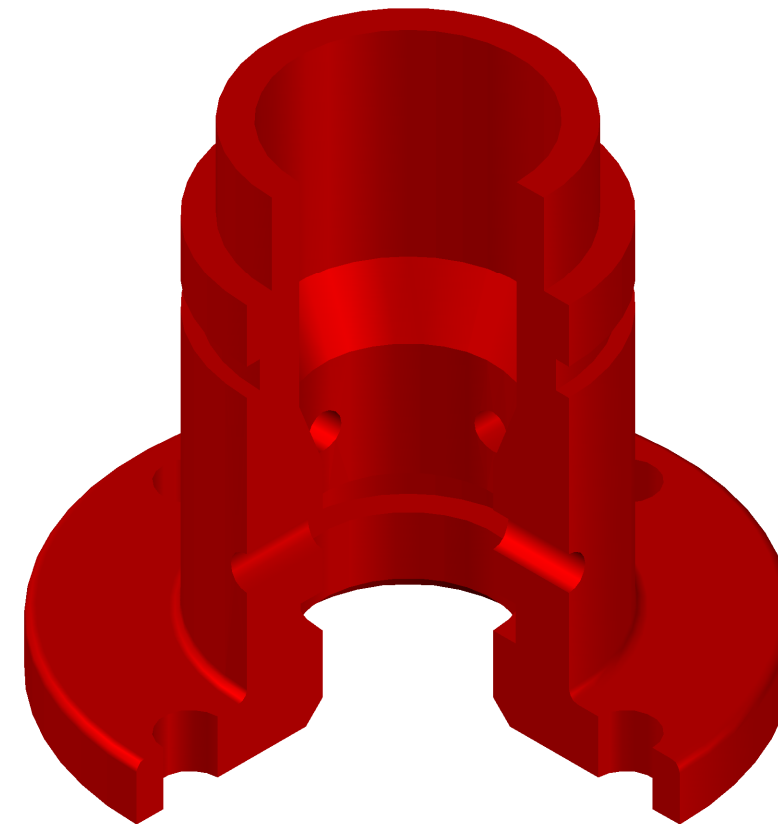
DATE: 5/14/2026

SCALE: 1:1

PAGE #: 1 OF 3



CONNECTOR



CONNECTOR  
ALTERNATIVE VIEW

# LEGEND

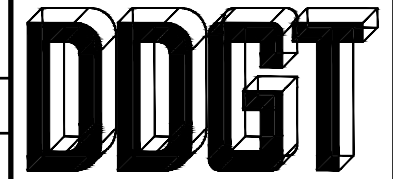
SYMBOL	DESCRIPTION
∅	DIAMETER
°	DEGREES

# GENERAL NOTES:

ALL FILLETS R.0625 UNLESS OTHERWISE NOTED. CASTING OFFSET .060".

# PARTS LIST

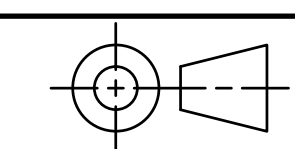
ITEM	QTY.	PART NAME
1	1	CONNECTOR



DIGITAL DESIGN  
GRAPHICS  
TECHNOLOGY

WWW.DDGT.NET

**WEEKEND WARRIOR**  
FABRICATION AND DESIGN  
Metal Fabricator - Designer - Machinist  
Jonathan K. Jordan  
jonathankjordan2@gmail.com  
"Weekend Hours, Professional Results"  
Trailer Repair - Custom Built Projects - Shade Structures  
Steel - Aluminum - Stainless  
www.ddgt.net/StudentPages/jjordan



TOLERANCES UNLESS SPECIFIED:  
DECIMAL INCHES:  
X = ±.020  
XX = ±.010  
XXX = ±.005  
FRACTIONAL ±1/64"  
ANGLES ±1 DEGREE  
SURFACES 32/

CLASS: DDGT 121

ASSIGNMENT #: 33

AUTOCAD DRAWING NAME:  
CONNECTOR

FIG #: N/A

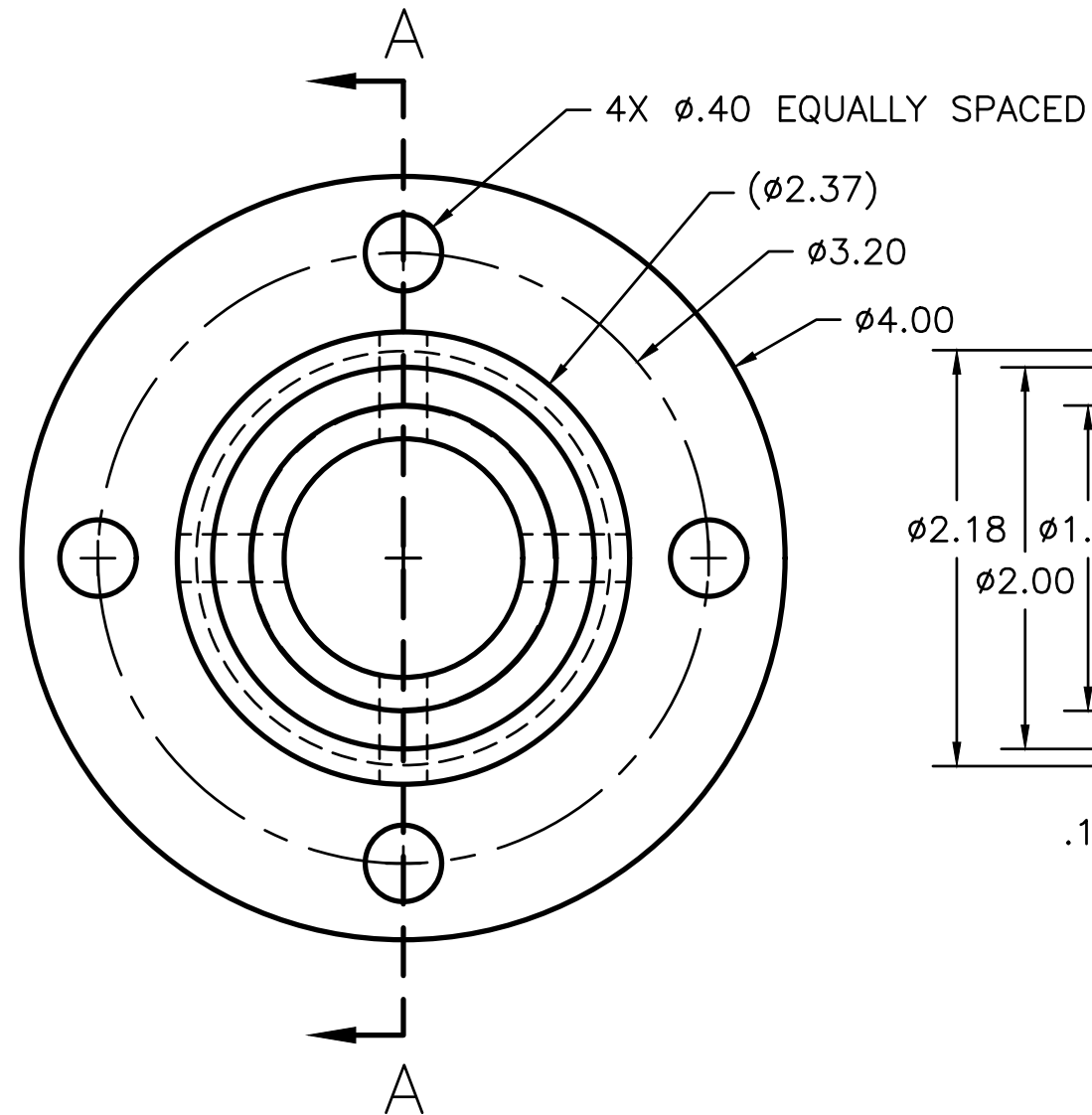
MANAGER: G. STROMMEN

DRAFTER: J. JORDAN

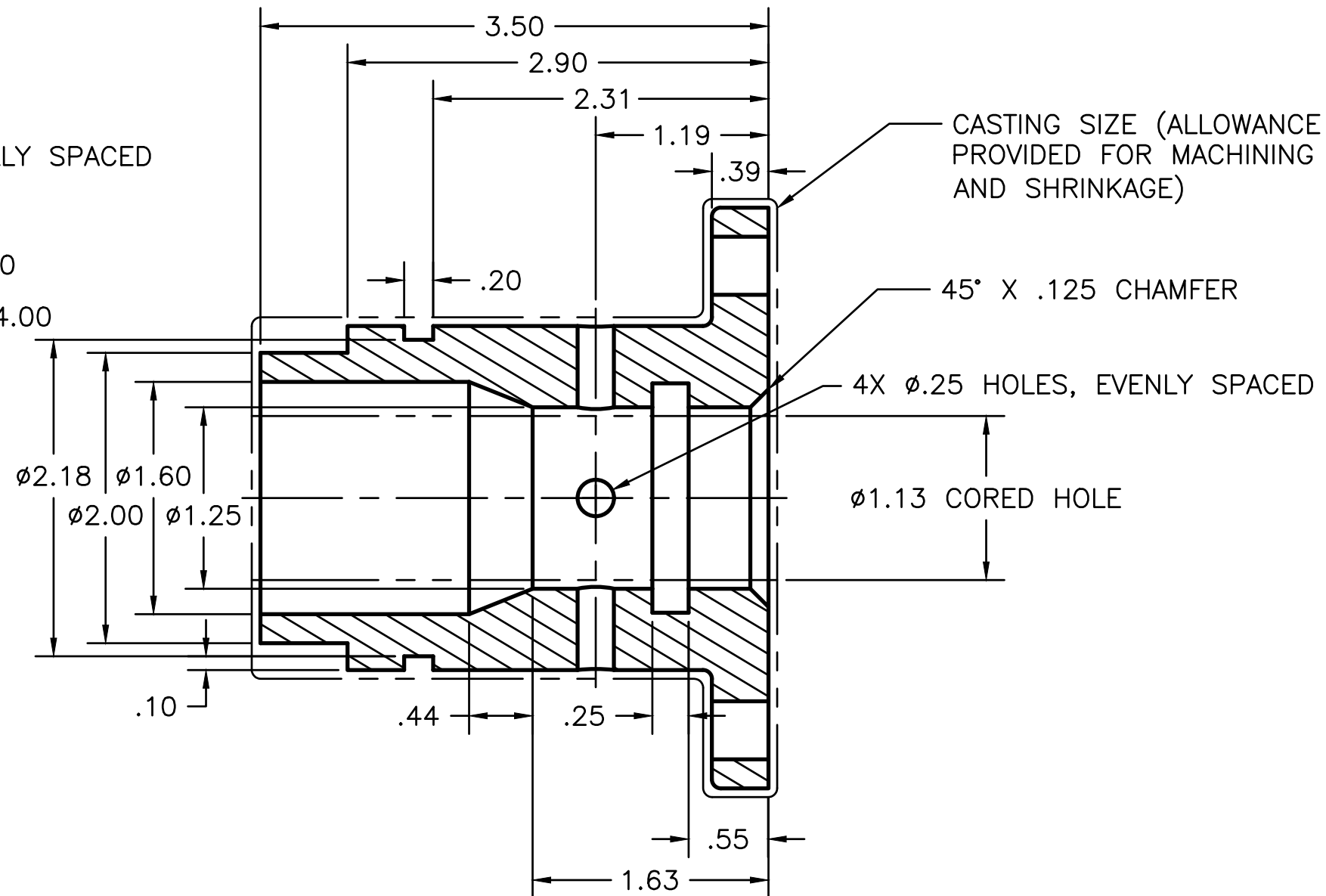
DATE: 5/14/2026

SCALE: 1:1

PAGE #: 2 OF 3



CONNECTOR  
TOP VIEW



CONNECTOR  
SECTION VIEW

# LEGEND

SYMBOL	DESCRIPTION
ø	DIAMETER
°	DEGREES

# GENERAL NOTES:

ALL FILLETS R.0625 UNLESS OTHERWISE NOTED. CASTING OFFSET .060".

# PARTS LIST

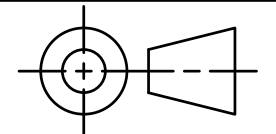
ITEM	QTY.	PART NAME
1	1	CONNECTOR



DIGITAL DESIGN  
GRAPHICS  
TECHNOLOGY

WWW.DDGT.NET

**WEEKEND WARRIOR**  
FABRICATION AND DESIGN  
Metal Fabricator - Designer - Machinist  
Jonathan K. Jordan  
jonathankjordan2@gmail.com  
"Weekend Hours, Professional Results"  
Trailer Repair - Custom Built Projects - Shade Structures  
Steel - Aluminum - Stainless  
www.ddgt.net/StudentPages/jjordan



TOLERANCES UNLESS SPECIFIED:  
DECIMAL INCHES:  
X = ±.020  
XX = ±.010  
XXX = ±.005  
FRACTIONAL ±1/64"  
ANGLES ±1 DEGREE  
SURFACES 32/

CLASS: DDGT 121

ASSIGNMENT #: 33

AUTOCAD DRAWING NAME:  
CONNECTOR

FIG #: N/A

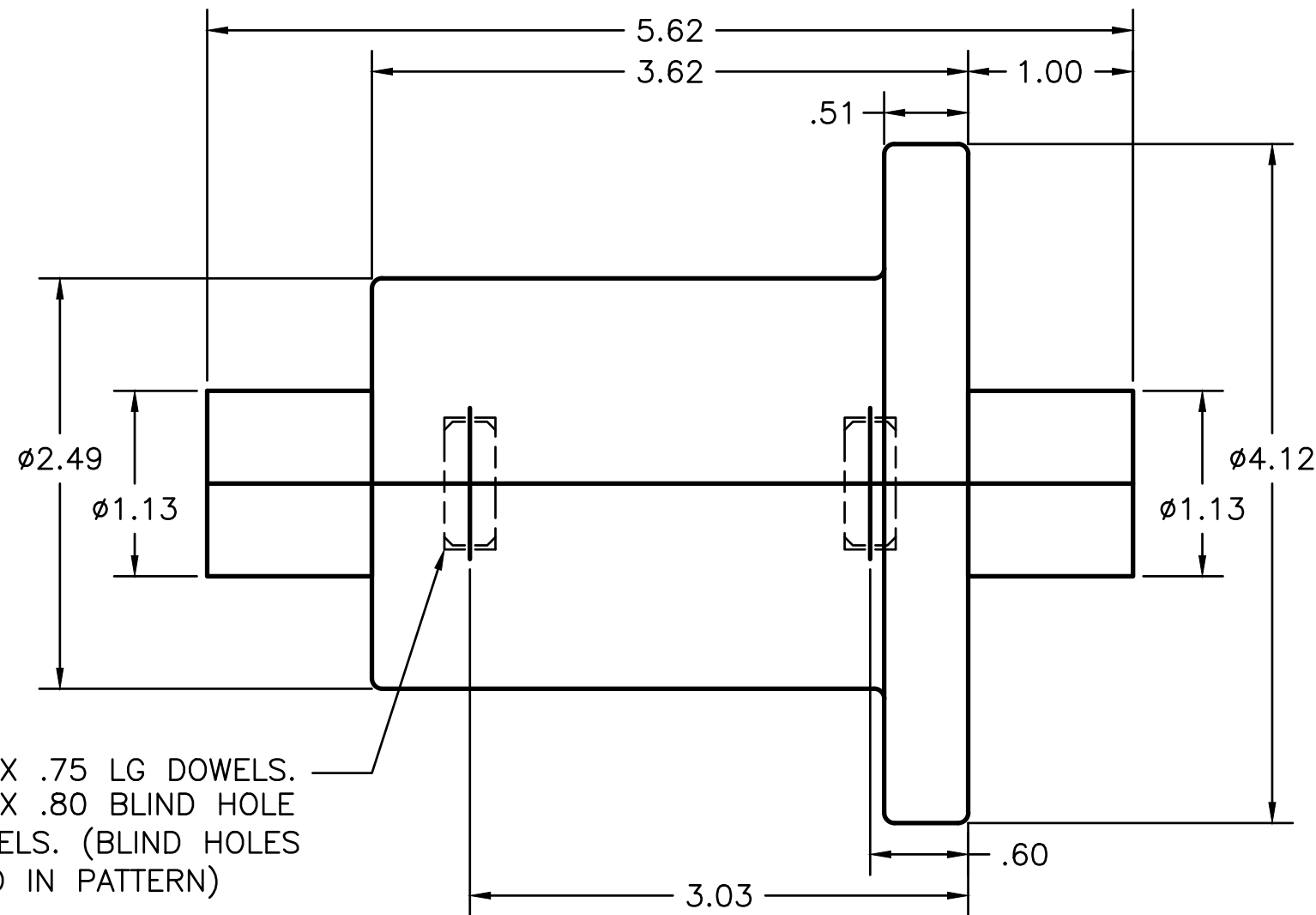
MANAGER: G. STROMMEN

DRAFTER: J. JORDAN

DATE: 5/14/2026

SCALE: 1:1

PAGE #: 3 OF 3



2X  $\phi$ .31 X .75 LG DOWELS.  
2X  $\phi$ .31 X .80 BLIND HOLE  
FOR DOWELS. (BLIND HOLES  
CENTERED IN PATTERN)

CAST PATTERN  
VIEW

# LEGEND

SYMBOL	DESCRIPTION
$\phi$	DIAMETER
°	DEGREES